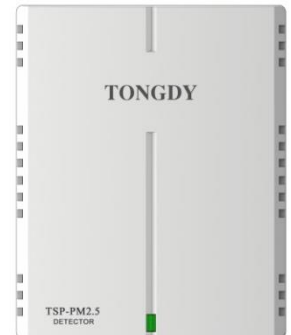


TSP-18 Indoor Air Quality Detector

–Designed for detection indoor air quality of hotels, real estate projects and other civil construction

- *Experienced in designing IAQ products for 12 years, long term exportation to Europe and America, powerful performance guaranteed*
- *Real-time detecting indoor PM2.5/PM10, CO2, TVOC, Temperature and relative humidity*
- *Built-in self-owned patent measurements of temperature and humidity compensation technology*
- *3-color light indicates the range of the main measurement*
- *OLED display optional*
- *Suitable for hotels, residential projects to analyze indoor air quality, and to control ventilation systems, etc.*
- *Wall mounting with Modbus RS485 or RJ45 or WIFI interface optional*



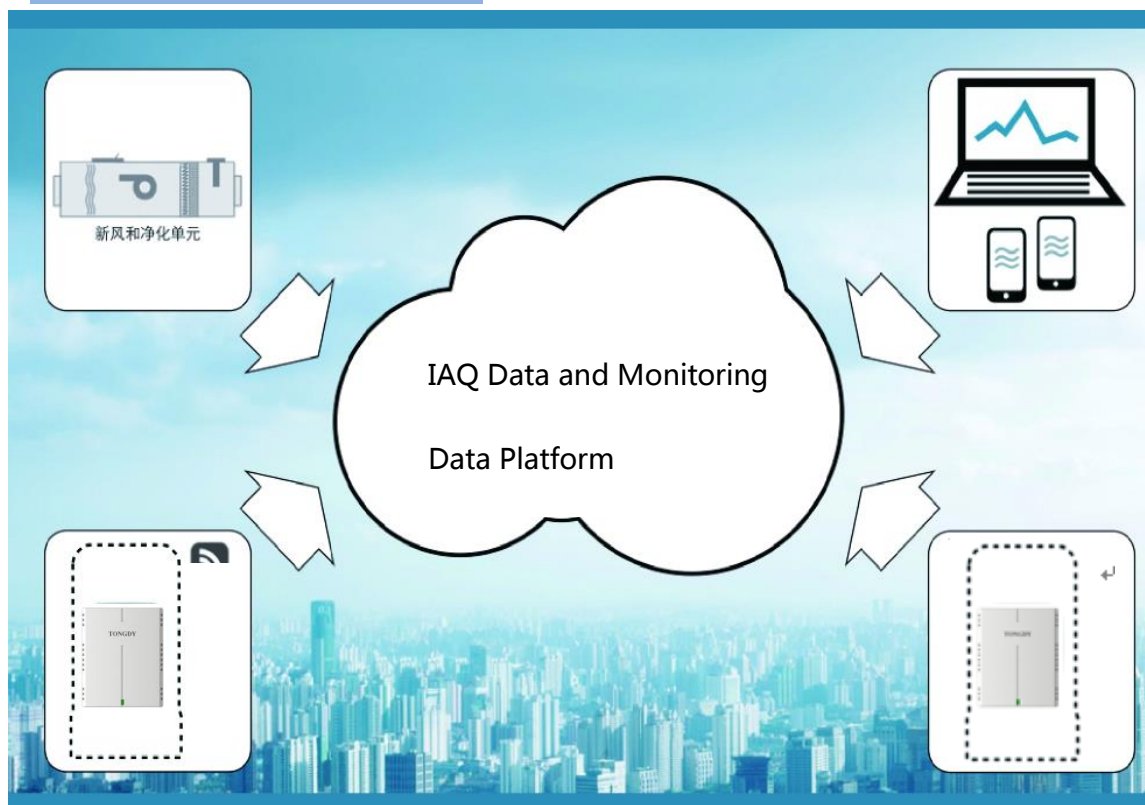
Features

- IAQ detector designed for economic use
- 7-24 hours online real-time IAQ detection
- Real-time output PM2.5/PM10, CO2, TVOC and Temperature & humidity data
- A special correction algorithm inside to ensure the measurements not be affected as environmental change
- Modbus RS485 or RJ45 or WIFI interface optional
- Available & suitable for networks in old and new buildings
- 3-color lights indicates the 3 ranges of main measurement
- Optional OLED scroll display IAQ measurements
- Wall mounting and 24VAC/VDC power supply
- Provides carbon monoxide and ozone detectors of TSP series for more gases detection
- Over 12 years' experience of exportation to global market and different application of IAQ products.

Applications

- Smart Home Systems
- Residential projects
- Hotels, class rooms, offices and other public places where need IAQ monitoring with civil level
- Air quality monitoring in other public places
- All ventilation systems

Monitoring System Illustration



Specifications

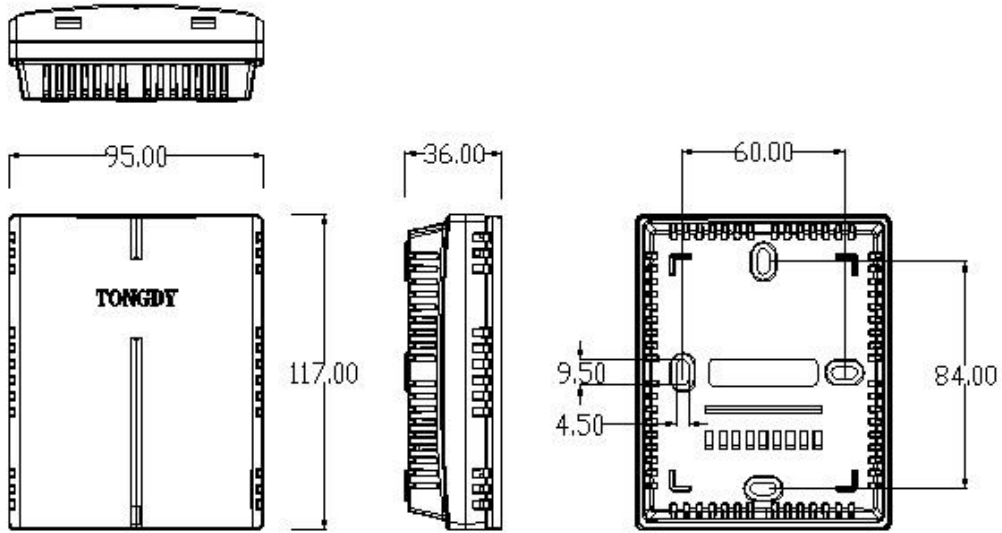
General Data	
Detection Parameters	PM2.5/PM10; CO2(optional); TVOC(optional); temperature & humidity
Output	RS485 (Modbus RTU) RJ45 (Ethernet) WIFI
Operating Environment	Temperature: 0~50℃ Humidity : 0~99%RH
Storage condition	-10℃~50℃ Humidity : 0~70%RH (No condensation)
Power supply	24VAC±10%, or 18~24VDC
Overall Dimension	94mm(L)×116.5mm(W)×36mm(H)

Material of Shell & IP Level	PC/ABS fire-proof material / IP30
Installation	Concealed installation: 65mm×65mm wire box
PM2.5/PM10 Data	
Sensor	Laser particle sensor, Light scattering method
Measuring Range	PM2.5: 0~600μg/m ³ PM10: 0~600μg/m ³
Output Resolution	1μg/m ³
Zero Point Stability	±5μg/m ³
Accuracy	<±15% (@ 25℃, 10~50%RH)
CO₂ Data	
Sensor	Non-Dispersive Infrared Detector (NDIR)
Measuring Range	400~2,000ppm
Output Resolution	1ppm
Accuracy	±75ppm or 10% of reading (@ 25℃, 10~50%RH)
TVOC Data	
Sensor	TVOC module
Measuring Range	0~ 3.5mg/m ³
Output Resolution	0.001mg/m ³
Accuracy	≤±0.02mg/m ³ +10% of the reading (@ 25℃, 5~50%RH)
Temperature and Humidity Data	
Sensor	High precision digital integrated temperature and humidity sensor
Measuring Range	Temperature : -20℃~60℃ / Humidity : 0~99%RH
Output Resolution	Temperature : 0.01℃ / Humidity : 0.01%RH
Accuracy	Temperature : <±0.5℃@25℃ Humidity:<±3.0%RH (20%~80%RH)

Models Guide

Model	PM2.5	Temp. &RH	CO2	TVOC	Interface
TSP-1811C	●	●			RS485 (Modbus RTU)
TSP-1813C	●	●	●		
TSP-1818C	●	●	●	●	
TSP-1821C	●	●			WIFI
TSP-1823C	●	●	●		
TSP-1828C	●	●	●	●	
TSP-1831C	●	●			RJ45 (Ethernet)
TSP-1833C	●	●	●		
TSP-1838C	●	●	●	●	
-SL after above items	OLED display screen				

Installation and Wiring



Installation bracket diagram (if you want to install, need to install the bracket)

